

## E-motor Kit



**Brand:** QS Motor Limited

**Availability:** In Stock

**Price:** 707.60 €

**Ex Tax:** 580.00 €

### Short Description

A high performance electric motor kit that fits all Qulbix frame kits perfectly.

### Description

When building your own e-bike kit use a **quality, high performance electric motor kit** that includes **everything you need** to mount it to a Qulbix frame (fits 140 and 76 series).

### The QS V3 Motor is

a robust, high power, high torque motor suitable for all who want to ride fast. It can handle a lot of current and will not overheat that easily. It is one of the most popular motors on the market and is also found as modified versions (for ex. Cromotor etc.). For technical details see Specification tab.

Please note:

- The E-motor Kit fits 155mm swing arm dropout of Qulbix frames.
- Rims are not laced to the motor. Lacing available at additional fee.

### 3 REASONS WHY YOU SHOULD CHOOSE A QULBIX MOTOR KIT

	<p><b>Perfect fit</b></p> <p>Motor kits purchased at Qulbix fit Qulbix frames directly, and can be mounted on all modifications are needed, which means you'll save on time, money and nerves.</p>
	<p><b>DIY kit with assembly manual</b></p>



Along with parts you will also receive a step-by-step manual on how to assemble the you need is the right tools and some mechanical/electrical knowledge.



### **Save time and money**

Tracking down and purchasing individual components from different vendors may take skill. Getting a complete kit is not only easier, but it saves you time and money on material costs and import procedures.

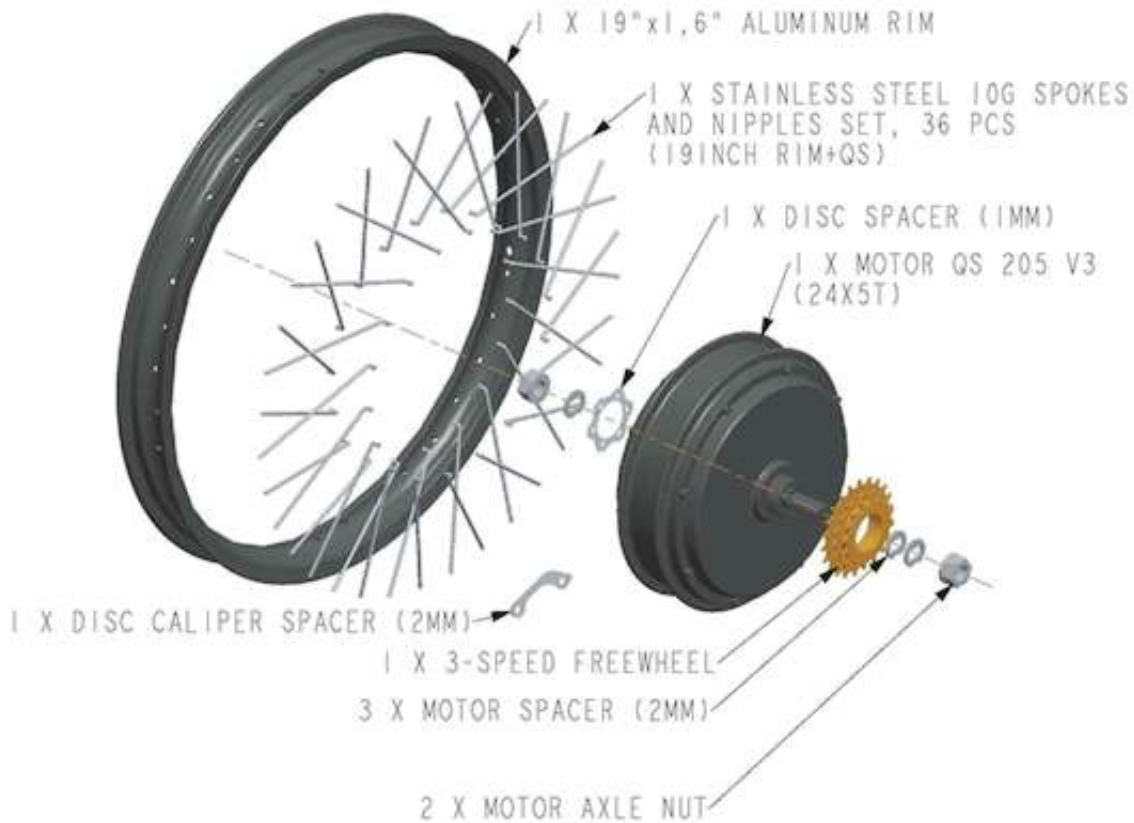
### **What's Included**

E-motor Kit includes:

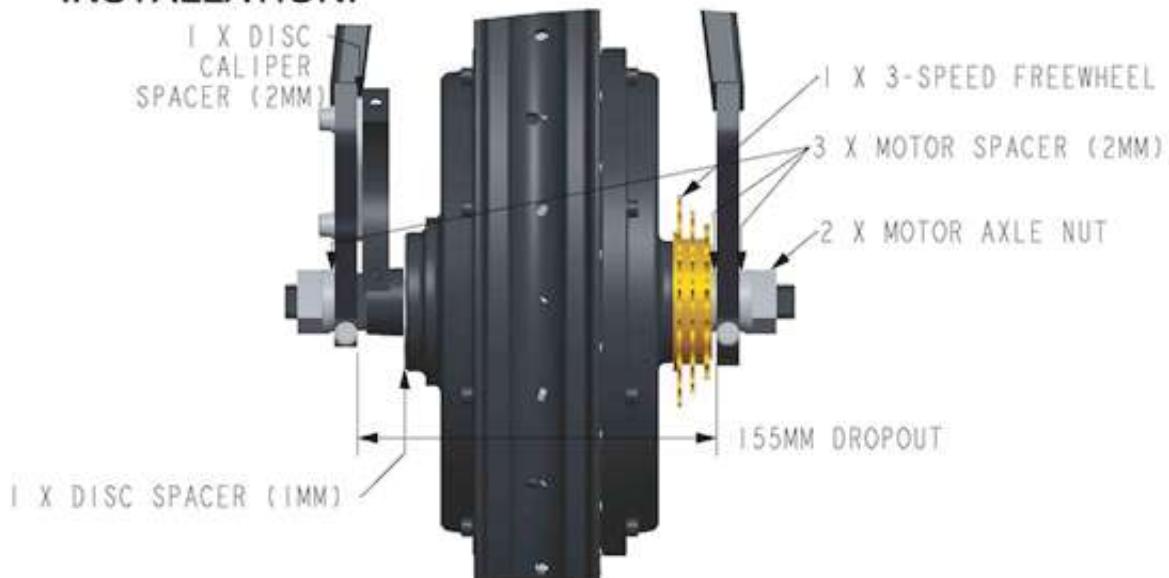
1. QS V3 motor with stock connectors;
2. 3-speed freewheel;
3. 19" x 1.6" aluminium motorcycle rim;
4. Stainless steel 10G spokes & brass nipples;
5. Bolts, nuts and spacers;
6. Spacers: 3 x motor spacer, 2 x disc spacer and 1 x brake caliper spacer.

### **Drawings & Manuals**

## Q140R/Q76R FRAME KIT | MOTOR QSV3, RIM, SPOKES, SPACERS KIT



### INSTALLATION:



### Specification

#### MOTOR SPECIFICATIONS

Axle Diameter:

Double Axle

Brake System:	PCD6 x 44 mm
Color:	Black
Continuous Input Current:	40 A
Drop-out Width:	150 mm
Efficiency 80% @RPM:	428-636 RPM
Hall Sensor Phasing:	120 °
Hall Sensors:	2 sets
Hall Working Voltage:	5 V
Holder:	Aluminum
Magnet Height:	50 mm
Max. Operating Temperature:	70 ° C
Motor Diameter:	205 mm
Motor Model:	QS Motor V3 (24x5T)
Motor Type:	BLDC PMSM Outer Rotor Spoke Hub Motor
Number of Motor Phases:	3
Number of Pole Pairs:	16 pairs
Peak Input Current:	75 A
Rated Power:	3000 W (constant)
Spade Half of Axle:	10 mm
Speed:	35-70 km/h
Spoke:	36 pcs x 4.2
Thermal Probe:	KTY83/122
Voltage Range:	72 V
Waterproof Grade:	IP54
Weight of the Motor:	11,7 kg

## Product Gallery



