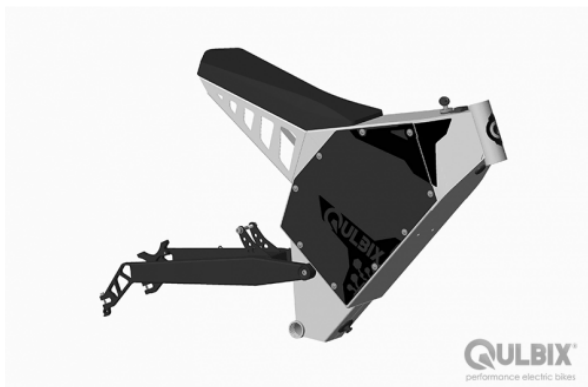


---

## 140 Moto FRAME KIT



**Brand:** Qulbix  
**Availability:** In Stock

**Price: 817,40€**

**Ex Tax: 670,00€**

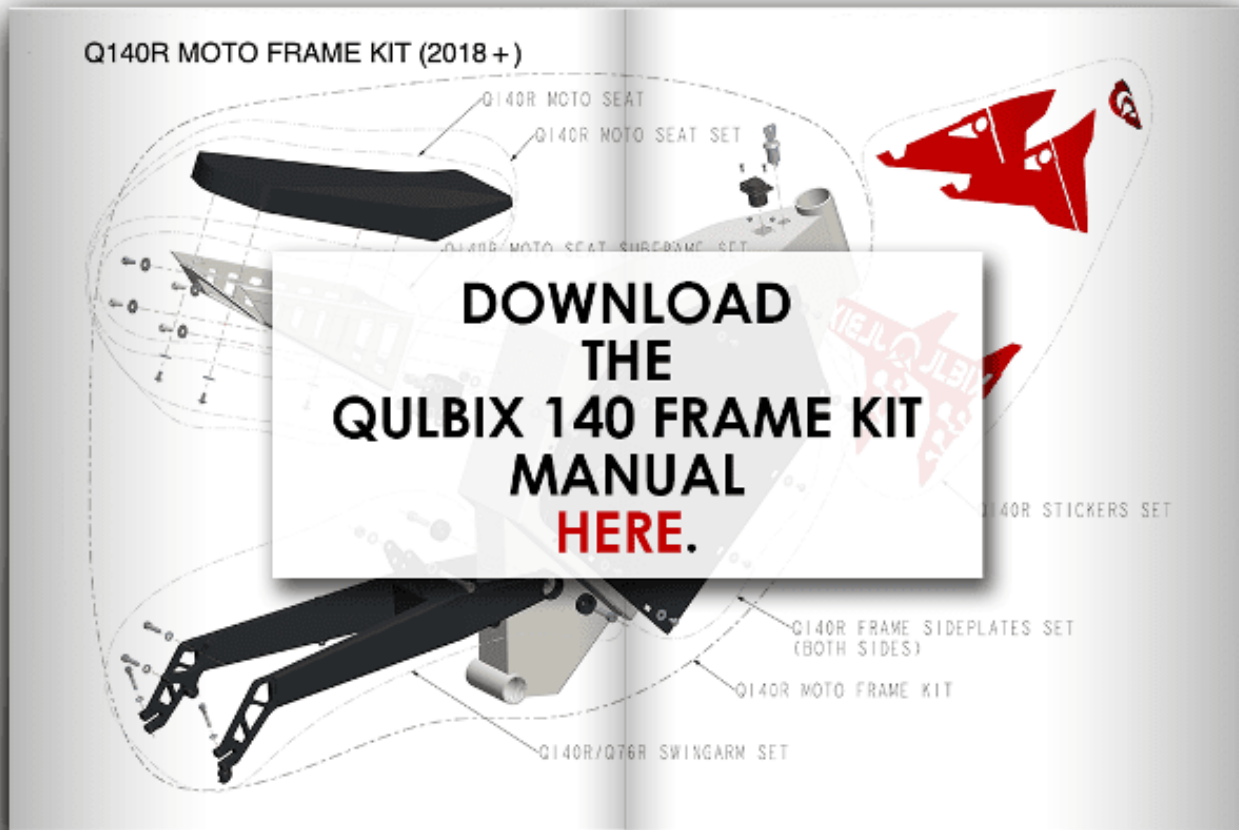
### Short Description

A strong, quality made back-bone for your e-bike build. 140mm wide frame with a moto seat and subframe.

### Description

Strong, steel and aluminium frame (140mm width) with XXL battery pack compartment with a moto seat for max. riding comfort. Moto seat and subframe included. Standard swing arm drop-out width: 155mm (165mm optional).

### Manuals & Drawings

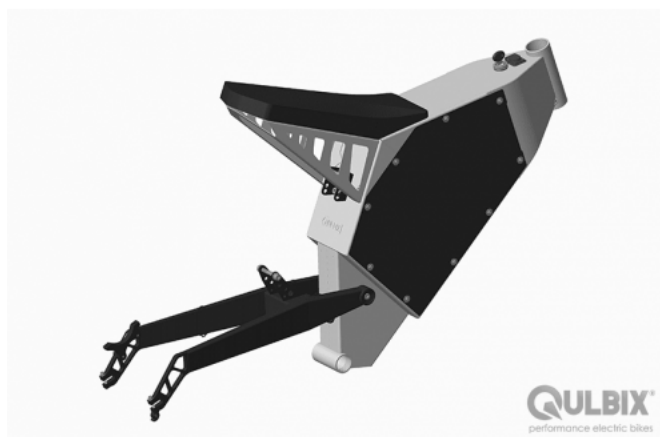
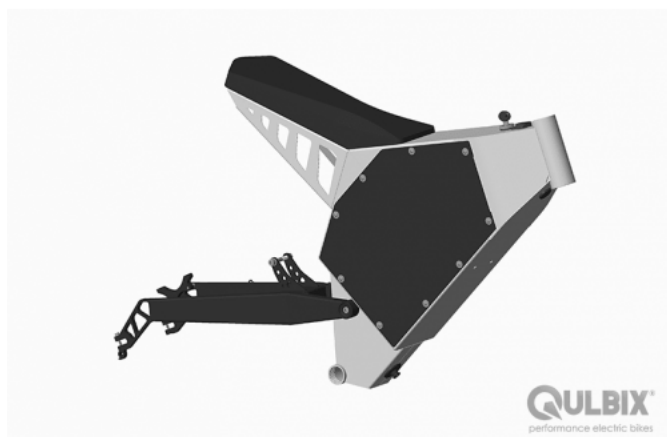
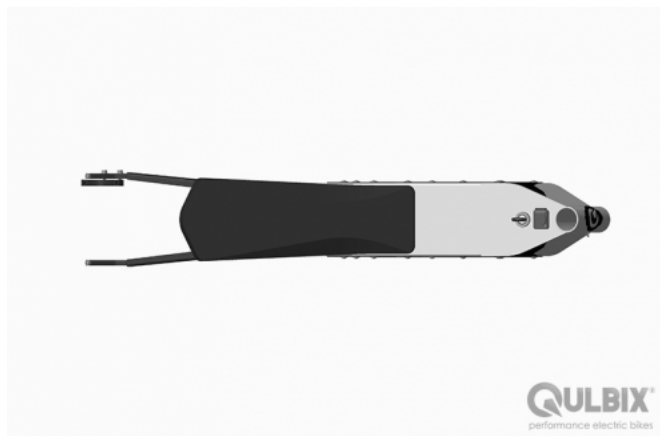


## Specification

KEY FEATURES	
Key Features:	XXL BATTERY BOX, MODULAR, STRONG & RELIABLE.
FRAME KIT	
Bottom bracket height:	350mm
Charger socket:	Integrated Neutrik NL2 charger socket with rubber cap.
Controller shield type:	None included if not chosen.
Dérailleur:	M10x1 threaded hole for standard dérailleur installation. Dérailleur not included.
Head tube angle:	64°
Head tube inside diameter:	44mm
Head tube length:	140mm
Key lock:	Frame integrated key-lock for controller on/off.
Material:	Super strong CrMo steel and High tensile Aluminium.
Maximum tire width (26" wheel):	90mm

Minimum bicycle seat height:	880mm
Rear Brake:	Suitable for 200/203 mm rotor and standard brake calipers (rear brake adapter is included in the kit.)
Rear shock bushing length:	40mm
Rear shock dimensions:	240x76mm
Rear wheel travel:	200 or 220mm (adjustable)
Seat type:	Moto (seat & subframe included). Other seat type available separately.
Swing arm drop-out width:	155mm (standard); 165mm (custom - specify in notes!)
Weight:	11 kg
Wheel base:	1250mm
Width:	140mm

## Product Gallery





**QULBIX**  
performance electric bikes